



ELP12-12PS

Constant Voltage Power Supply

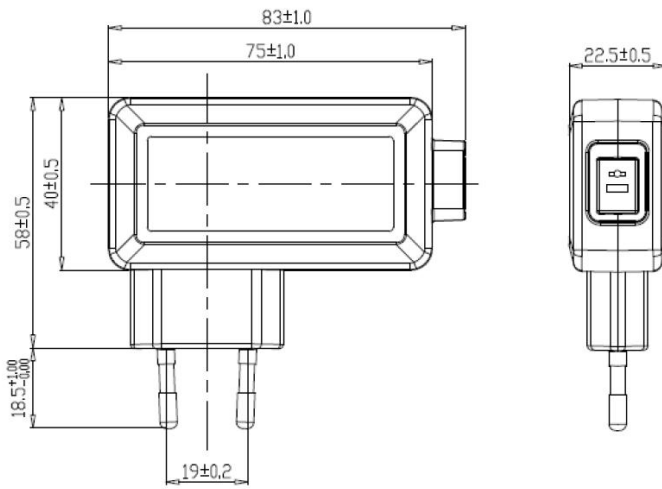
12VDC / 1,0A / 0~12W / IP20



I. Technical data

GENERAL	
Input voltage	220~240VAC
Input frequency	50/60Hz
Input current	0,12A Max. (@230VAC)
Output voltage	12VDC constant
Output current	1,0A
Output load range	0~12W
Output connection	Pluggable cable connection, max. 2 meter.
Power factor	≥0,75
Efficiency	≥78% (@25°C and full load)
No load losses	<0,3W
Environment temperature	-5°C~+45°C
Surface temperature	80°C max.
protection class	IP20
Lifetime	≥ 50000 hours (@25°C, full load)
PROTECTION	
Isolation class	Class II, SELV
Short circuit protection	Resettable after fault removed
Over load protection	Resettable after fault removed
Over temperature protection	Resettable after temperature descending acc. IEC 61347-1 appendix C
Withstand voltage	IN-OUT / IN-FG: 3750VAC/5mA/1 min; OUT-FG: 500VAC/5mA/1 min;
Insulation resistor	≥ 4MΩ
STANDARD	
LVD	EN61347-1, EN61347-2-13, EN60598-1, EN60598-2-6
EMC	EN55015, EN61547, EN61000-3-2, EN61000-3-3
Approvals	CE, Intertek Semko
RoHS compatible	Yes

II. Dimension



Unit: mm